



## Specification sheet

# Luci

The Luci LED linear luminaire is available in 4 standard lengths and available in both up and down directional lighting. Great for offices and retail spaces, can be continuous with additional bracket and joint accessories to make desired shapes. Modern minimalist interior design can be surface/wall mounted or suspended. Linkable for continuous runs. Luminous ratio of the up&down LED linear light is 30% upward and 70% downward.

### Options

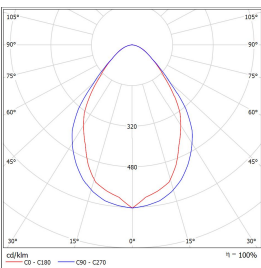
- Dimmable
- Emergency
- CCT

### Applications

- Hotels/Leisure
- Offices
- Retail
- Shopping Centres
- Waiting Rooms

### Details

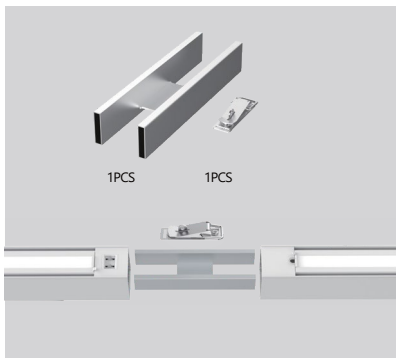
- Material : Aluminium + Polycarbonate
- Energy Rating D
- LED lifespan L80/B10>63000
- SDCM <5
- IK04
- CRI (Ra) 80+
- 120deg angle



## Specification

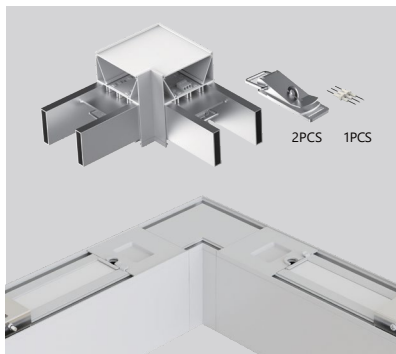
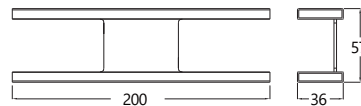
SKU	Wattage	Lm/W	CCT k	Power Factor	Dimensions	Input Voltage	Input Frequency	Colour
LUC-12	12-16-20	140	3000-4000-5000	>0.9	600 x 60 x 75	AC 220-240 V	50-60 Hz	Silver
LUC-24	24-32-40	140	3000-4000-5000	>0.9	1200 x 60 x 75	AC 220-240 V	50-60 Hz	Silver
LUC-30	30-40-50	140	3000-4000-5000	>0.9	1500 x 60 x 75	AC 220-240 V	50-60 Hz	Silver
LUC-36	36-48-60	140	3000-4000-5000	>0.9	1800 x 60 x 75	AC 220-240 V	50-60 Hz	Silver

# Accessories



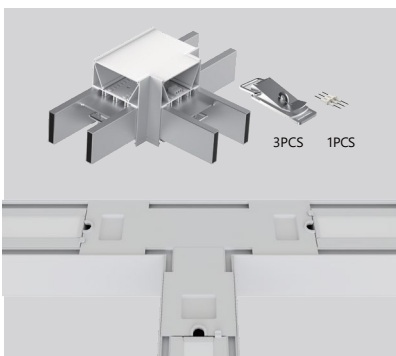
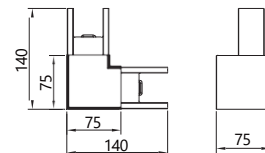
## I-type

Size: L200\*W57\*H36mm  
 Color Finish : Aluminum  
 Gross/Net weight : 0.14/0.13KG



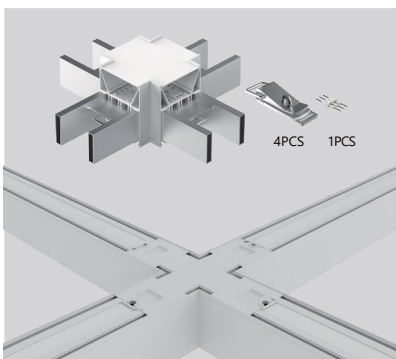
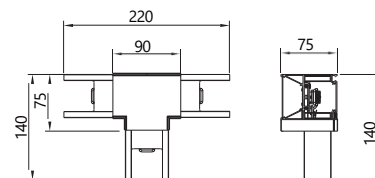
## L-type

size : L75\*W75\*H75mm  
 Output Voltage : 36V power : 12S1P  
 Max : 0.085A, Max : 3.4W  
 CCT : 12S1P\*2, Max : 0.085A, Max : 3.4W  
 LED : 2835 0.5W 150mA 3V  
 Color Finish : RAL9016/RAL9011  
 Gross/Net weight : 0.42/0.29KG



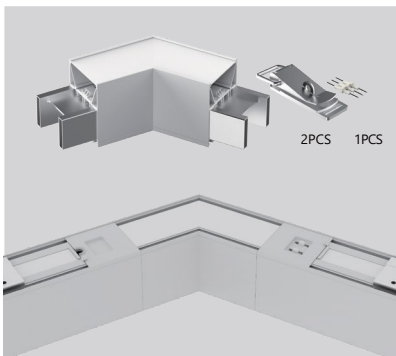
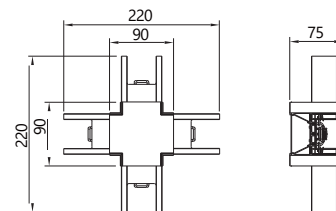
## T-type

size : L90\*W75\*H75mm  
 Output Voltage : 36V power : 12S2P,  
 Max : 0.075A, Max : 2.7W  
 12S2P\*2, Max : 0.075A, Max : 2.7W LED :  
 2835 0.5W 150mA 3V  
 Color Finish : RAL9016/RAL9011  
 Gross/Net weight : 0.53/0.37KG



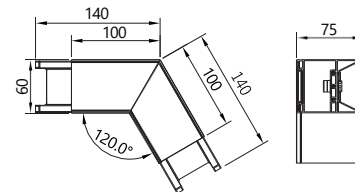
## X-type

size : L90\*W90\*H75mm  
 Output Voltage : 36V power : 12S2P,  
 Max : 0.075A, Max : 2.7W  
 12S2P\*2, Max : 0.075A, Max : 2.7W LED :  
 2835 0.5W 150mA 3V  
 Color Finish : RAL9016/RAL9011  
 Gross/Net weight : 0.63/0.45KG

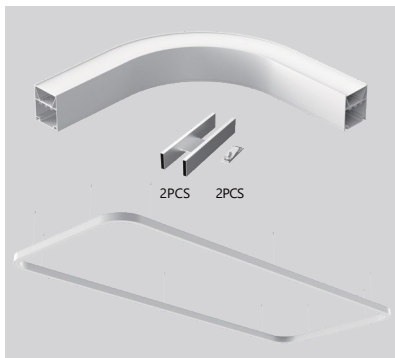


## V-type

size : L100\*W100\*H75mm  
 Output Voltage : 36V power : 12S2P,  
 Max : 0.075A, Max : 2.7W  
 12S2P\*2, Max : 0.075A, Max : 2.7W LED :  
 2835 0.5W 150mA 3V  
 Color Finish : RAL9016/RAL9011  
 Gross/Net weight : 0.49/0.36KG

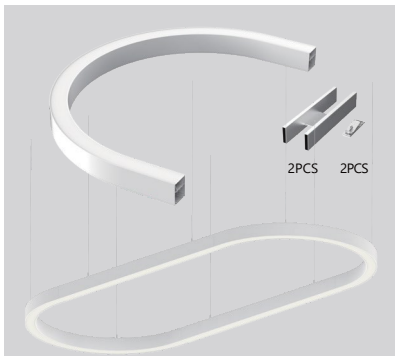
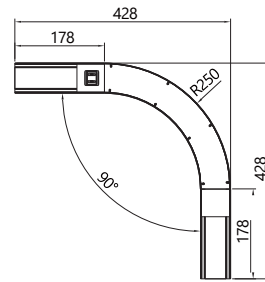


# Accessories



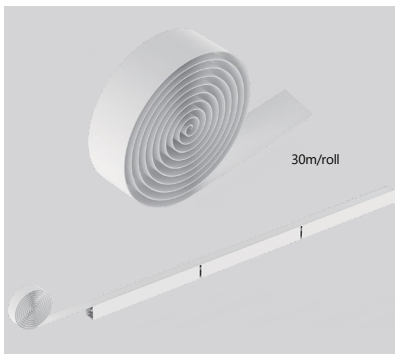
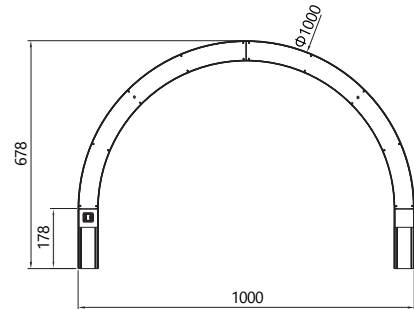
## Circular corner

size : L428\*W428\*H75mm  
 Input Voltage : 220-240V  
 Output Voltage : 36V  
 power : 23W CCT : 14-18-23W  
 LED : 2835 0.5W 150mA 3V  
 Color Finish : RAL9016/RAL9011  
 Gross/Net weight : 2.35/1.5KG



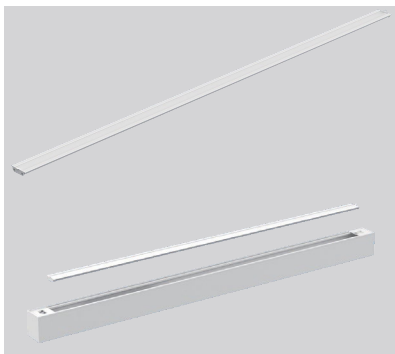
## Semicircle

size : L1000\*W678\*H75mm  
 Input Voltage : 220-240V  
 Output Voltage : 36V  
 power : 60W CCT : 36-48-60W  
 LED : 2835 0.5W 150mA 3V  
 Color Finish : RAL9016/RAL9011  
 Gross/Net weight : 5.5/4.25KG



## Diffuser

Size : L3000\*W57\*H0.8mm  
 Material : PC Transmittance  
 : >65% Haze : >85%



## Upper luminescent module

Size : 600:L1485\*W42\*H11mm      1200:L1085\*W42\*H11mm,  
 1500:L1385\*W42\*H11mm      1800:L1685\*W42\*H11mm

Material : PC, Aluminum Beam  
 Angle : 120°  
 LED : 2835 0.5W 150mA 3V  
 Color Finish : RAL9016/RAL9011



42

L

-1-11



Suspended



Wall Mounted



Surface Mounted

01344 883 399



Class I (1)